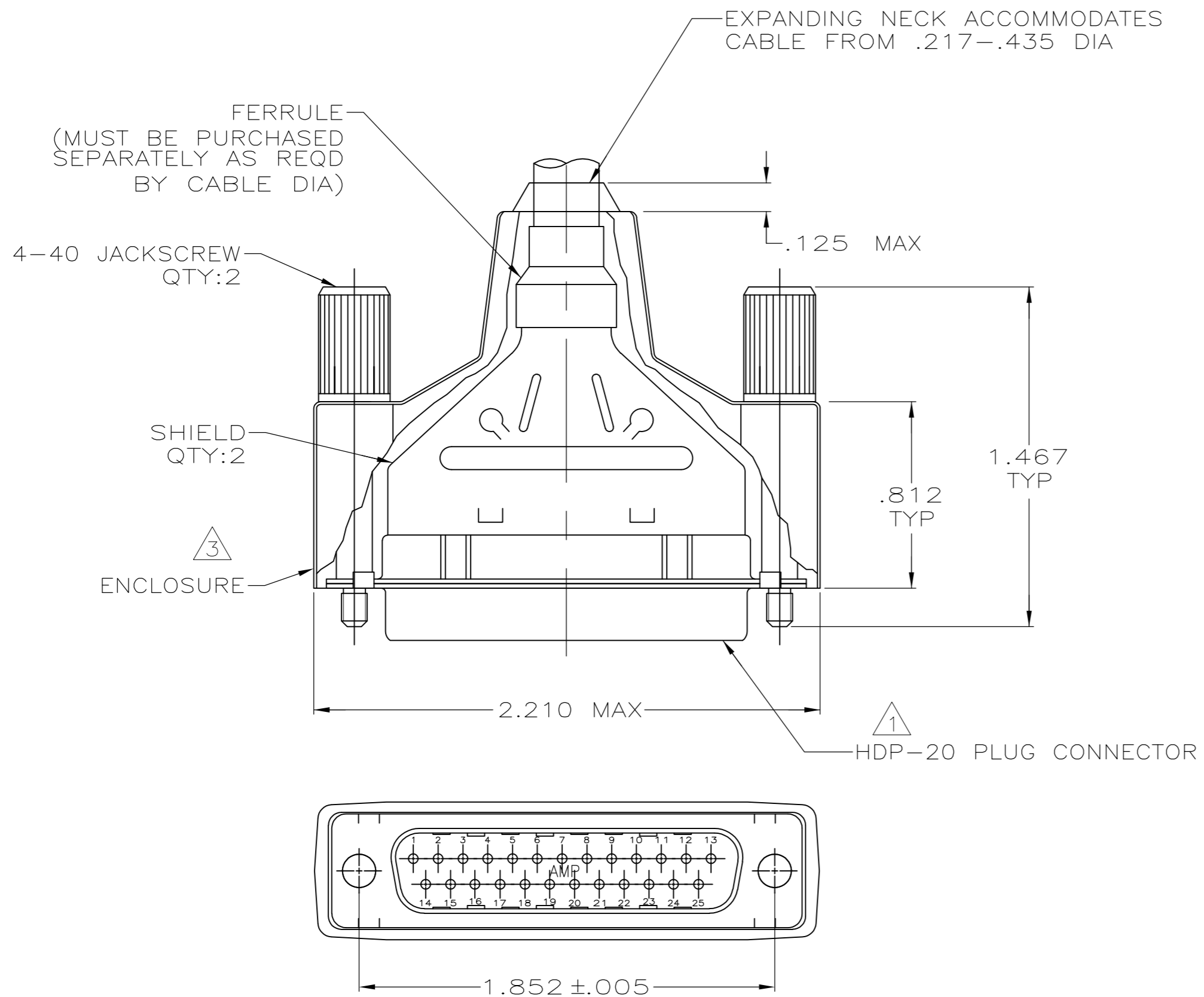


THIS DRAWING IS UNPUBLISHED. RELEASED FOR PUBLICATION  
 © COPYRIGHT BY TYCO ELECTRONICS CORPORATION. ALL INTERNATIONAL RIGHTS RESERVED.

LOC	DIST	REVISIONS					
GP	00	P	LTR	DESCRIPTION	DATE	DWN	APVD
		A		REVISED PER ECO-08-016984	10JUL08	JDP	CWR



- ① PLUG ACCEPTS SIZE 20 DF SOCKET CONTACTS. CONTACTS MUST BE PURCHASED SEPARATELY.
- 2. ALL PARTS SHIPPED UNASSEMBLED.
- ③ FLAME RETARDANT 94V-0 RATED, STYRENE POLYOLEFIN OR PVC, BLACK.
- ④ INSERT - FLAME RETARDANT 94V-0 RATED GLASS FILLED, NYLON OR POLYESTER, BLACK.
- ⑤ SHELLS & SHIELDS - STEEL PER ASTM A109.
- ⑥ SHELLS & SHIELDS - .000200 MIN TIN PLATE OVER .000100 MIN COPPER UNDERPLATE.
- ⑦ COMPONENTS INDIVIDUALLY BULK PACKED.
- ⑧ ZINC ALLOY.
- ⑨ ZINC PHOSPHATE COATING, BLACK.

⑦	W/LOGOS	⑨	⑧	1658659-1
PACKAGING	REMARKS	FINISH	MATERIAL	TE PART NUMBER
		4-40 JACKSCREWS		

THIS DRAWING IS A CONTROLLED DOCUMENT.		DWN	J.REITZEL	31JUL03	Tyco Electronics Corporation Tyco Electronics Corporation Harrisburg, PA 17105-3608		
DIMENSIONS: mm		CHK	S.BOLASH	31JUL03	NAME		
TOLERANCES UNLESS OTHERWISE SPECIFIED:		APVD	M.WALMSLEY	31JUL03	PRODUCT SPEC		
0 PLC ± -		108-40030		APPLICATION SPEC			
1 PLC ± -		114-40030		SIZE			
2 PLC ± -		WEIGHT		CAGE CODE		DRAWING NO	
3 PLC ± .020		-		A2 00779		RESTRICTED TO	
4 PLC ± -		FINISH		C=1658659		-	
ANGLES ± -		SEE TABLE ④ ⑤		SCALE		SHEET	
MATERIAL		SEE TABLE ⑥		2:1		1 OF 1	
CUSTOMER DRAWING				REV		A	